

Lubricators Series MX

New

3

Ports G1/4 - G1

Modular

Bowl with technopolymer cover and bayonet-type mounting



- » Regulation screw
- » Ability to refill the oil even with system under pressure
- » High flow
- » Check of the oil level through plastic cover openings
- » Bowl locking mechanism
- » reducing the risk of accidents

The Series MX has been realized to offer a multi-sector solution that guarantees saving in terms of installation time, space and costs. A special configurator, available on Camozzi website at <http://catalogue.camozzi.com> (sec. Configurators), allows the customer to choose the most suitable solution for his application, selecting single components or by configuring assembled FRLs.

MX3 is the new series of air treatment components realized by Camozzi, characterized by a modern, linear and compact design, offering high performances. The perfect integration between metal alloys and technopolymers has allowed the realization of a reliable product, light and strong at the same time. Thanks to a new concept of modularity, moreover, the mounting of components has become easier. These proportional lubricators enable a precision metering.

GENERAL DATA

Construction	modular, compact
Materials	see TABLE OF MATERIALS (pag. 3/0.25.02)
Ports	G3/4 - G1
Oil capacity	170 cc
Weight	0,75 kg
Oil refilling	even during use
Mounting	vertical in-line wall-mounting (by means of clamps)
Operating temperature	-5°C + 50°C at 16 bar (with the dew point of the fluid lower than 2°C at the min. working temperature) 50°C + 60°C at 10 bar (with the dew point of the fluid lower than 2°C at the min. working temperature)
Oil for lubrication	da 3°E + 10°E (ask our engineers)
Operating pressure	0 ÷ 16 bar
Min. air consumption for lubrication at 1 bar	50 NI/min
Min. air consumption for lubrication at 6 bar	95 NI/min
Nominal flow	see FLOW DIAGRAMS (pag 3/0.25.03)

CODING EXAMPLE

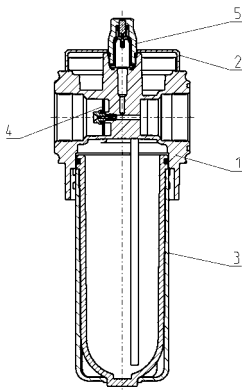
MX	3	-	3/4	-	L	00
-----------	----------	----------	------------	----------	----------	-----------

MX	SERIES
3	SIZE: 3 = G3/4 - G1
3/4	PORT: 3/4 = G3/4 1 = G1
L	LUBRICATOR
00	DESIGN TYPE: 00 = atomized oil

For the assembly of a single component with fixing flanges or wall-mounting, see the section "FRL Series MX Assembled" (pag. 3/0.50.01)

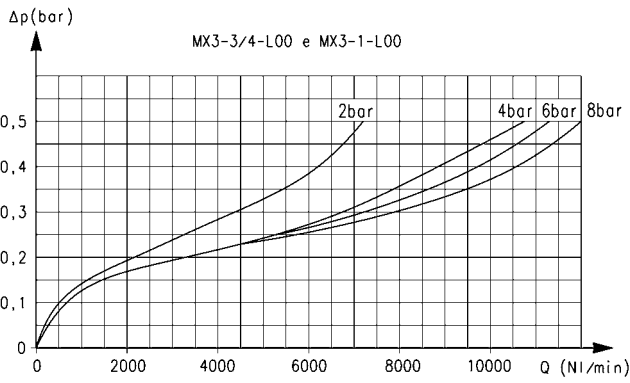
Lubricators Series MX - materials

New



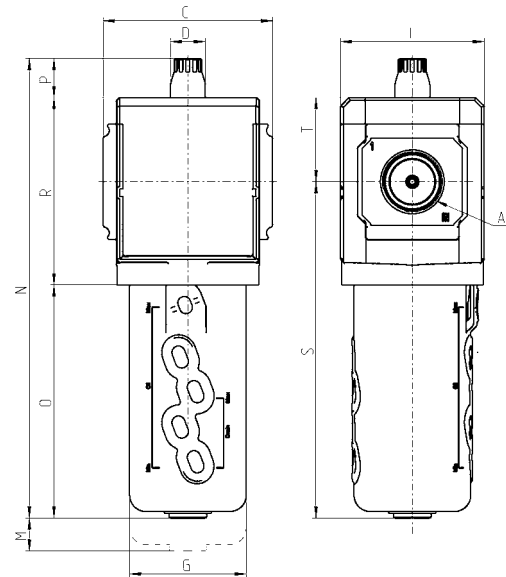
PARTS	MATERIALS
1 = Body	Aluminium
2 = Covering	Polyamide
3 = Bowl with technopolymer cover	Polycarbonate/Polyamide
4 = Diaphragm	NBR
5 = Viewer	Polyamide
Seals	NBR

FLOW DIAGRAMS



ΔP = Pressure drop
Q = Flow

Lubricators Series MX - dimensions



Mod.	A	C	D	G	I	M	N	O	P	R	S	T
MX3-3/4-L00	G3/4	89,5	18,5	61,5	76	100	243	123	21	99	178	44,5
MX3-1-L00	G1	89,5	18,5	61,5	76	100	243	123	21	99	178	44,5