

# Pressure regulators Series MX

New

Ports G1/4 - G1

Modular

Available with built-in pressure gauges or with ports for gauges



- » Minimal pressure decreases
- » Knob with closure
- » Tamper-proof system (lockable regulator)
- » Integral return exhaust (relieving)
- » Bowl locking mechanism reducing the risk of accidents

The Series MX has been realized to offer a multi-sector solution that guarantees saving in terms of installation time, space and costs. A special configurator, available on Camozzi website at <http://catalogue.camozzi.com> (sec. Configurators), allows the customer to choose the most suitable solution for his application, selecting single components or by configuring assembled FRLs.

The availability of constant values of the secondary pressure ensures performance optimization and energy saving. The tamper-proof system allows to adjust pressure safely through 2 intervals with primary pressure compensation. All regulators are equipped with an integrated locking system and built-in pressure gauges for a more compact product. The regulators Series MX are suitable also for panel mountings.

## GENERAL DATA

<b>Construction</b>	modular, compact, diaphragm type
<b>Materials</b>	see TABLE OF MATERIALS (pag. 3/0.20.02)
<b>Ports</b>	G3/4 - G1
<b>Weight</b>	1,05 kg
<b>Mounting</b>	vertical in-line wall-mounting (by means of clamps) panel mounting
<b>Operating temperature</b>	-5°C + 50°C at 16 bar (with the dew point of the fluid lower than 2°C at the min. working temperature) 50°C + 60°C at 10 bar (with the dew point of the fluid lower than 2°C at the min. working temperature)
<b>Inlet pressure</b>	0 + 16 bar
<b>Outlet pressure</b>	0,5 + 10 bar 0 + 4 bar
<b>Overpressure exhaust</b>	with relieving (standard) without relieving
<b>Nominal flow</b>	see FLOW DIAGRAMS (pag. 3/0.25.01)
<b>Fluid</b>	compressed air
<b>Pressure gauge</b>	version with built-in pressure gauge (standard) version with ports for pressure gauge (G1/4 ports)

## CODING EXAMPLE

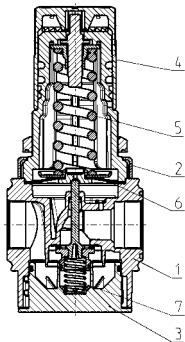
<b>MX</b>	<b>3</b>	<b>-</b>	<b>3/4</b>	<b>-</b>	<b>R</b>	<b>0</b>	<b>0</b>	<b>4</b>
-----------	----------	----------	------------	----------	----------	----------	----------	----------

<b>MX</b>	SERIES
<b>3</b>	SIZE: 3 = G3/4 - G1
<b>3/4</b>	PORT: 3/4 = G3/4 1 = G1
<b>R</b>	PRESSURE REGULATOR
<b>0</b>	OPERATING PRESSURE (1 bar = 14,5 psi) 0 = 0,5 + 10 bar (standard) 4 = 0 + 4 bar
<b>0</b>	DESIGN TYPE: 0 = relieving (standard) 1 = without relieving
<b>4</b>	PRESSURE GAUGE: 0 = without pressure gauge (with threaded port for gauges) 2 = with built-in pressure gauge 0-6 4 = with built-in pressure gauge 0-12 (standard)

For the assembly of a single component with fixing flanges or wall-mounting, see the section "FRL Series MX Assembled" (pag. 3/0.50.01)

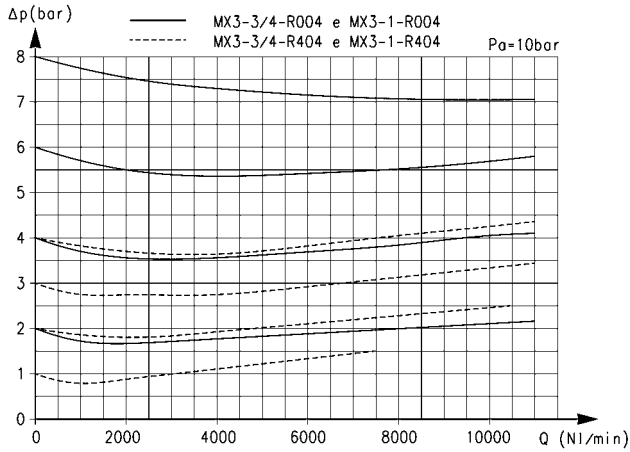
## Pressure regulators Series MX - materials

New



PARTS	MATERIALS
<b>1 = Body</b>	Aluminium
<b>2 = Covering</b>	Polyamide
<b>3 = Valve holder plug</b>	Polyamide
<b>4 = Regulator knob</b>	Polyamide
<b>5 = Upper spring</b>	Zinc-plated steel
<b>6 = Diaphragm</b>	NBR
<b>7 = Lower spring</b>	Stainless steel
<b>Seals</b>	NBR

FLOW DIAGRAMS

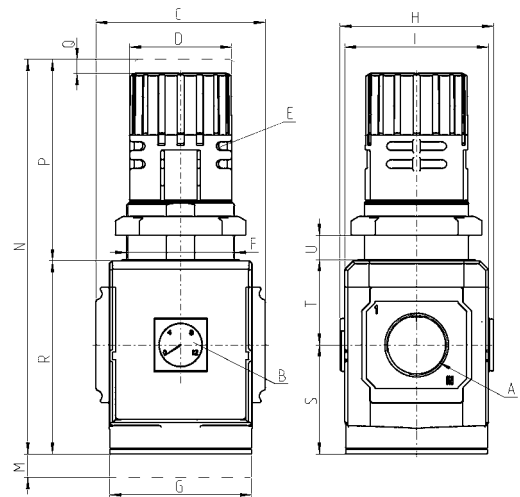


$\Delta P$  = Pressure drop

$Q$  = Flow

$P_a$  = Inlet pressure

Pressure regulators Series MX - dimensions



Mod.	A	B (bar)	C	D	E	F	G	H	I	M	N	P	Q	R	S	T	U
<b>MX3-3/4-R004</b>	G3/4	0 ÷ 12	89,5	54	Ø4	M57x1,5	75	81	76	45	206	104	5	102	57,5	44,5	0 ÷ 20
<b>MX3-1-R004</b>	G1	0 ÷ 12	89,5	54	Ø4	M57x1,5	75	81	76	45	206	104	5	102	57,5	44,5	0 ÷ 20

The company reserves the right to vary models and dimensions without notice. Products designed for industrial applications. Sale to general public is forbidden.